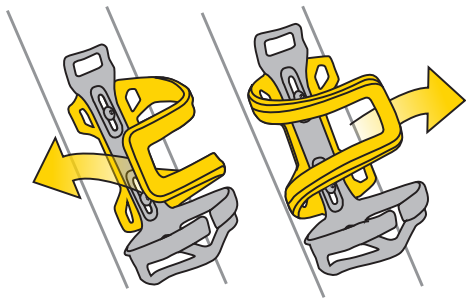


# REVERSIBLE DESIGN

for right or left hand access

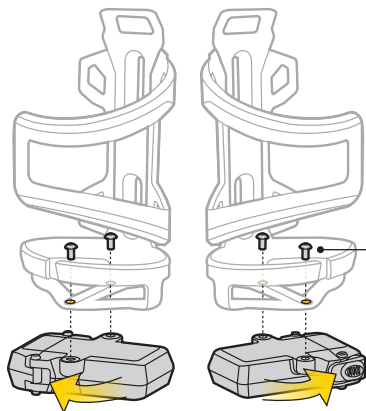
## CAGE



Left access

Right access

## TOOLBOX



Hex-2mm

2 Nm

Left access

Right access